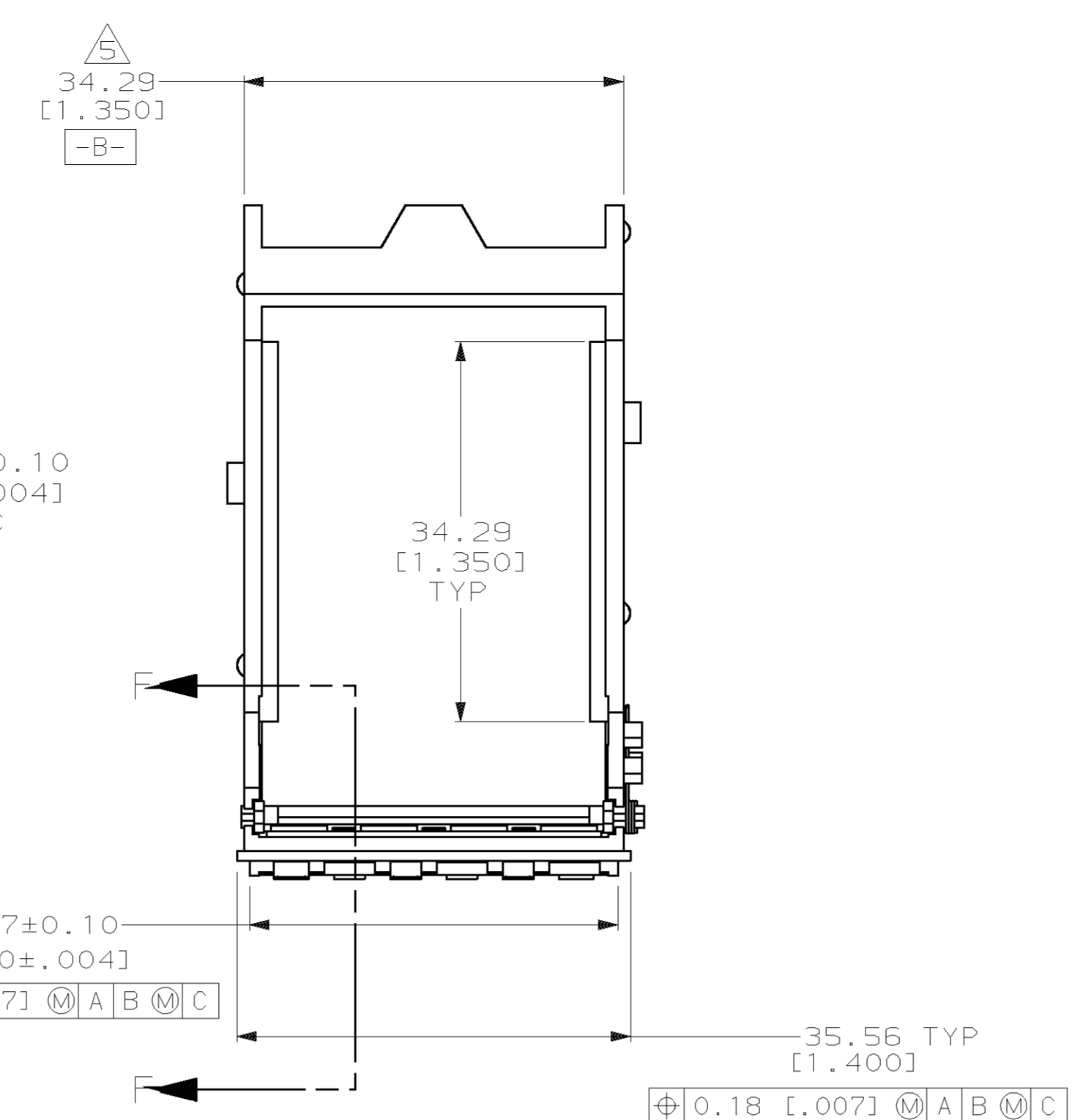
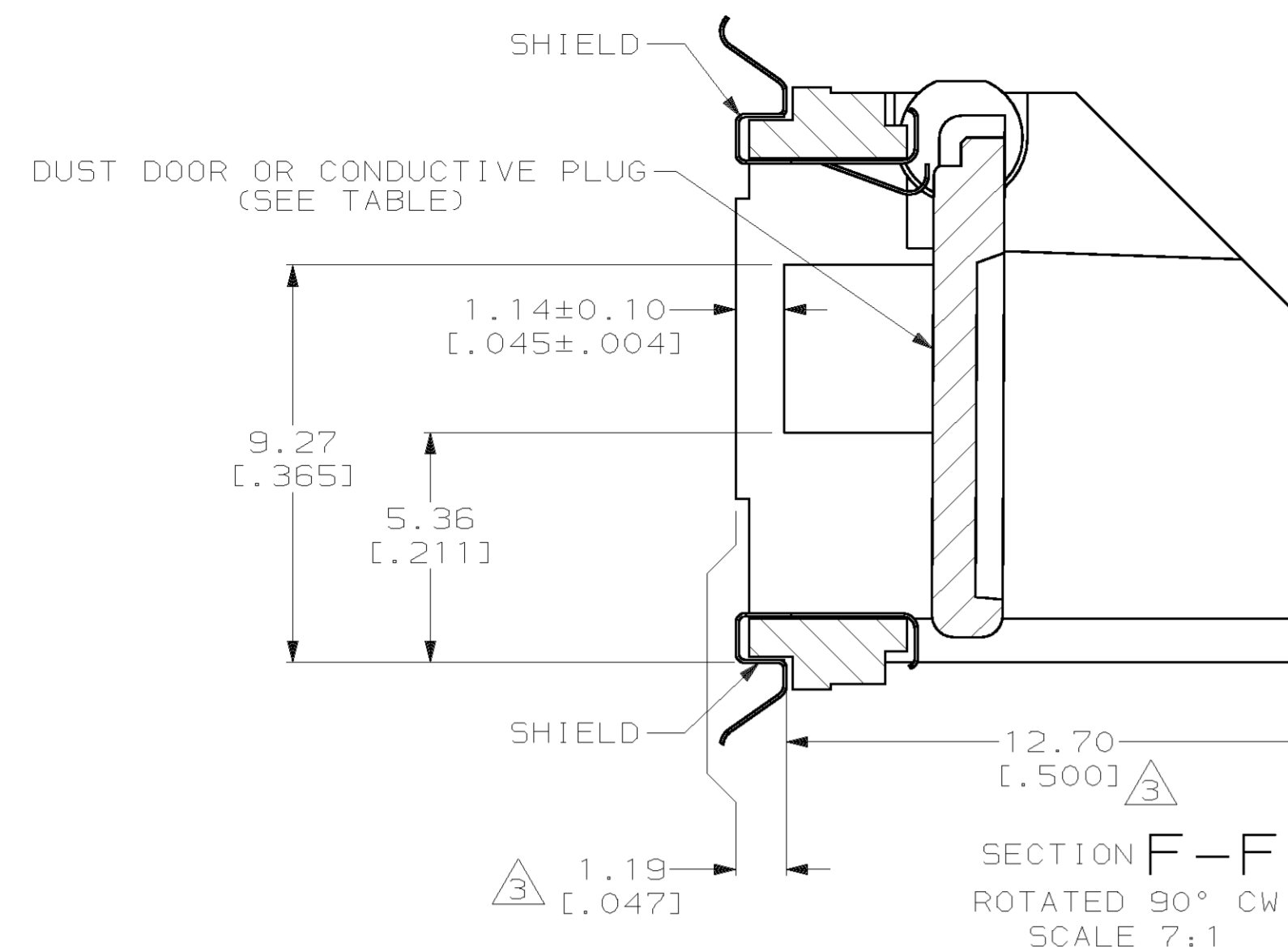
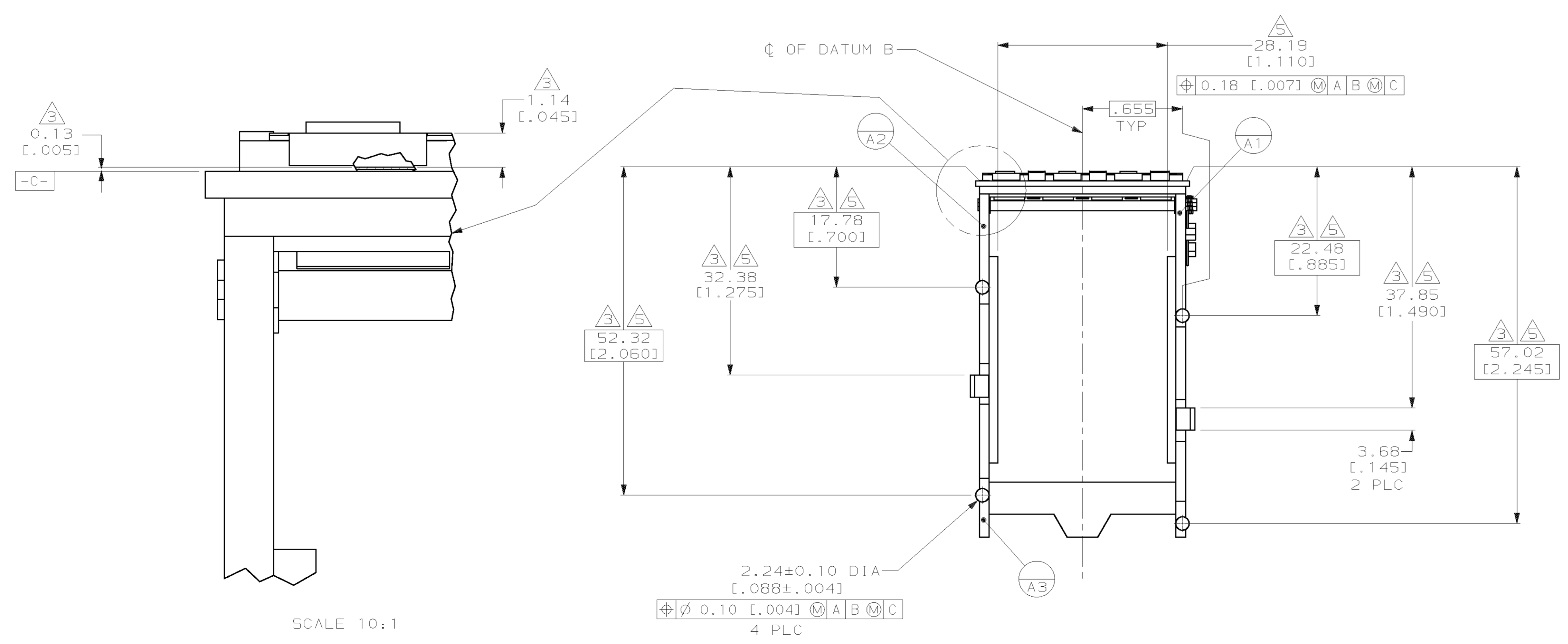
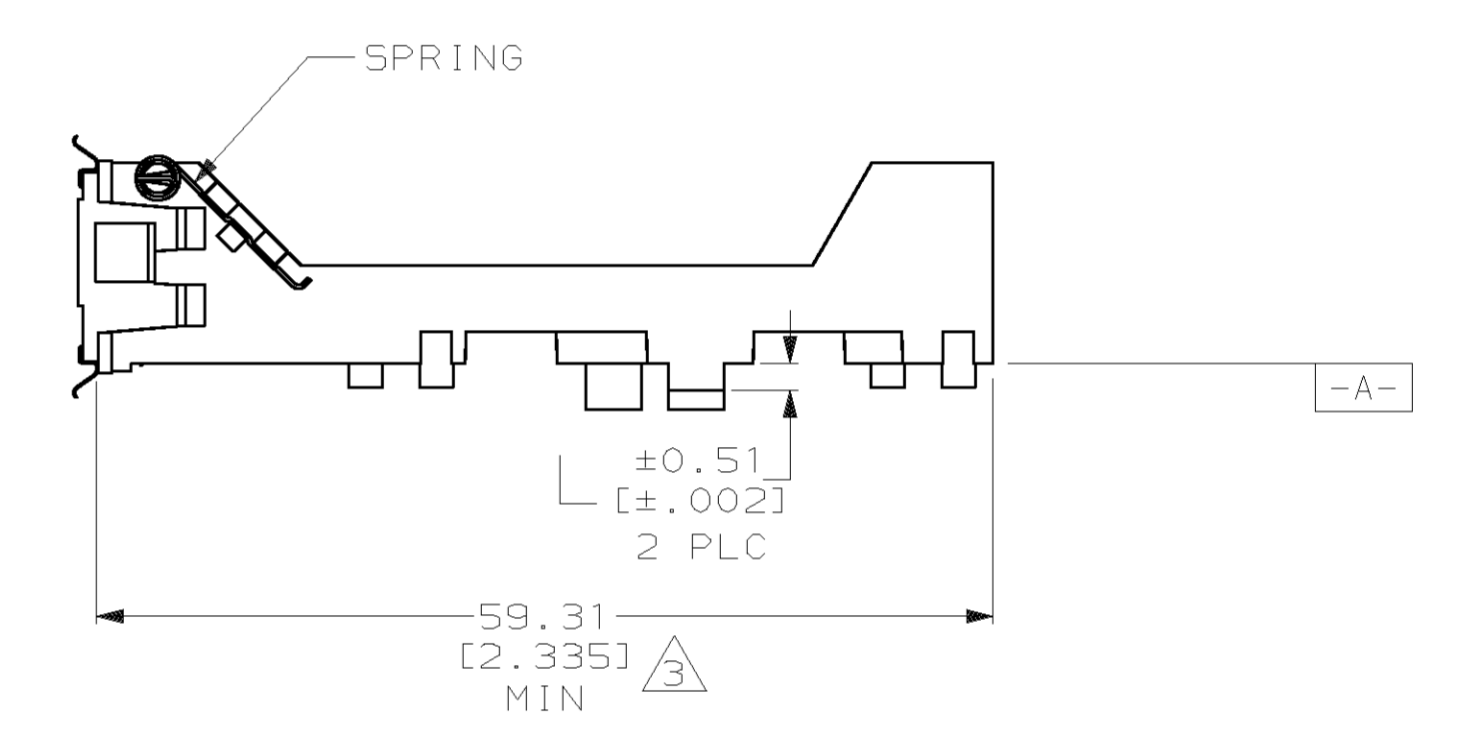
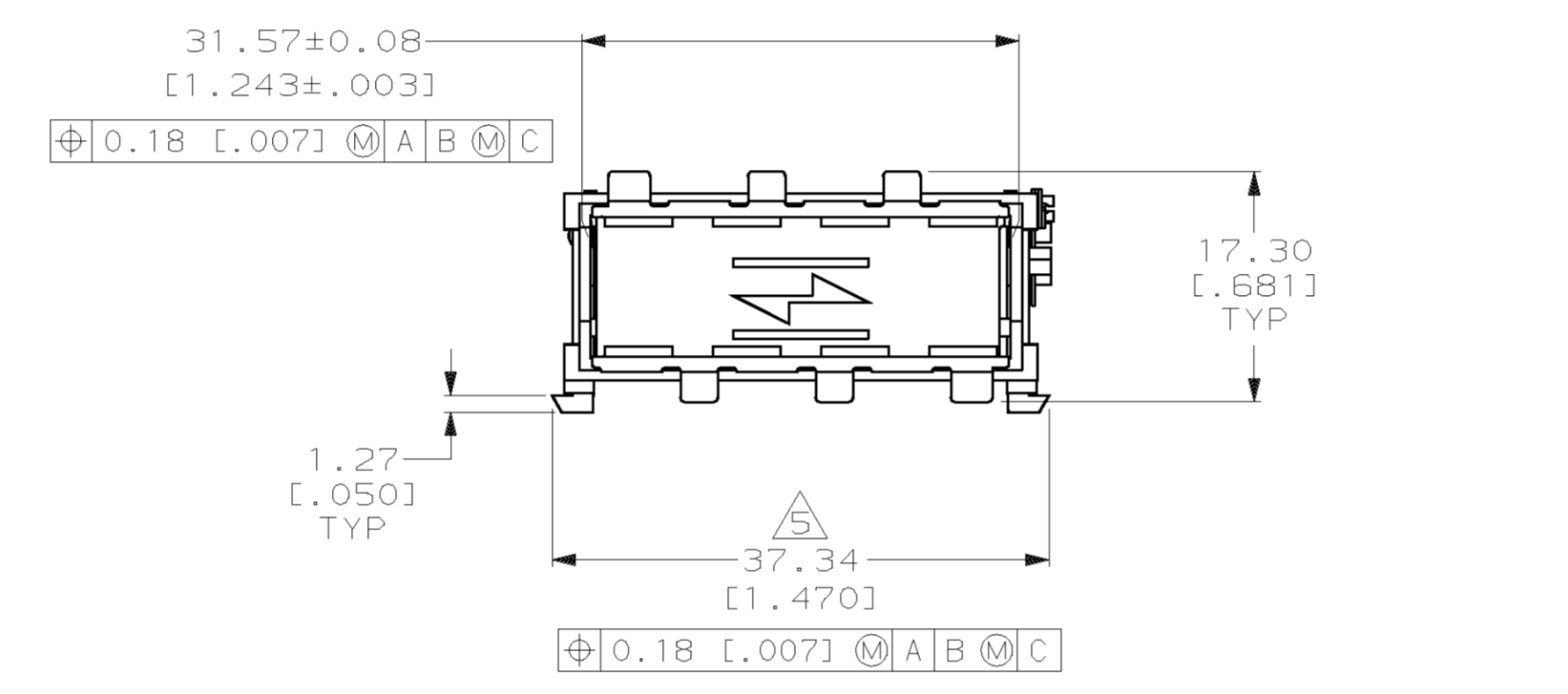
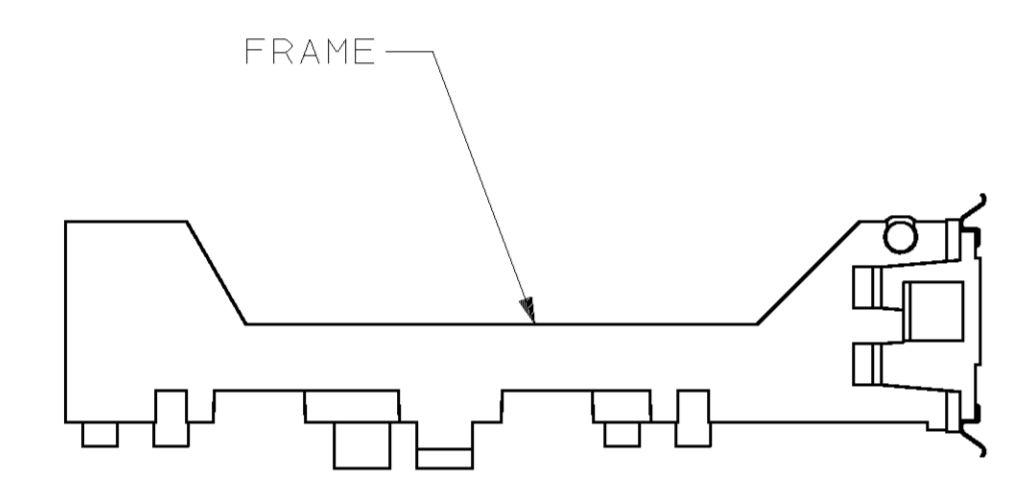


LOC		DIST		REVISIONS			
GP	00	TR	LYR	DESCRIPTION	DATE	OWN	APPR
L				REVISED PER EC 0513-0435-03	16APR04	JG	JG



- ⚠ DUST DOOR: ZINC ALLOY (-3,-4,-4), HTN POLYMER (-6,-7,-8).  
 CONDUCTIVE PLUG: ABS (1-2,1-3,1-4).  
 SPRING: STAINLESS STEEL.  
 SHIELD: PHOSPHOR BRONZE.
- ⚠ METAL DUST DOOR: 2.54µm [0.00100] MIN NICKEL OVER  
 5.08µm [0.00200] MIN COPPER.  
 SHIELD: 1.27µm [0.00050] MIN NICKEL.
- ⚠ DIMENSION APPLIES TO FRONT OF SHIELD.
- ⚠ LOWER EDGE OF PANEL OPENING IS 0.15 [.006]  
 BELOW TOP OF PCB FOR HORIZONTAL APPLICATION.
- ⚠ DIMENSION APPLIES WHEN ASSEMBLED TO PRINTED  
 CIRCUIT BOARD.

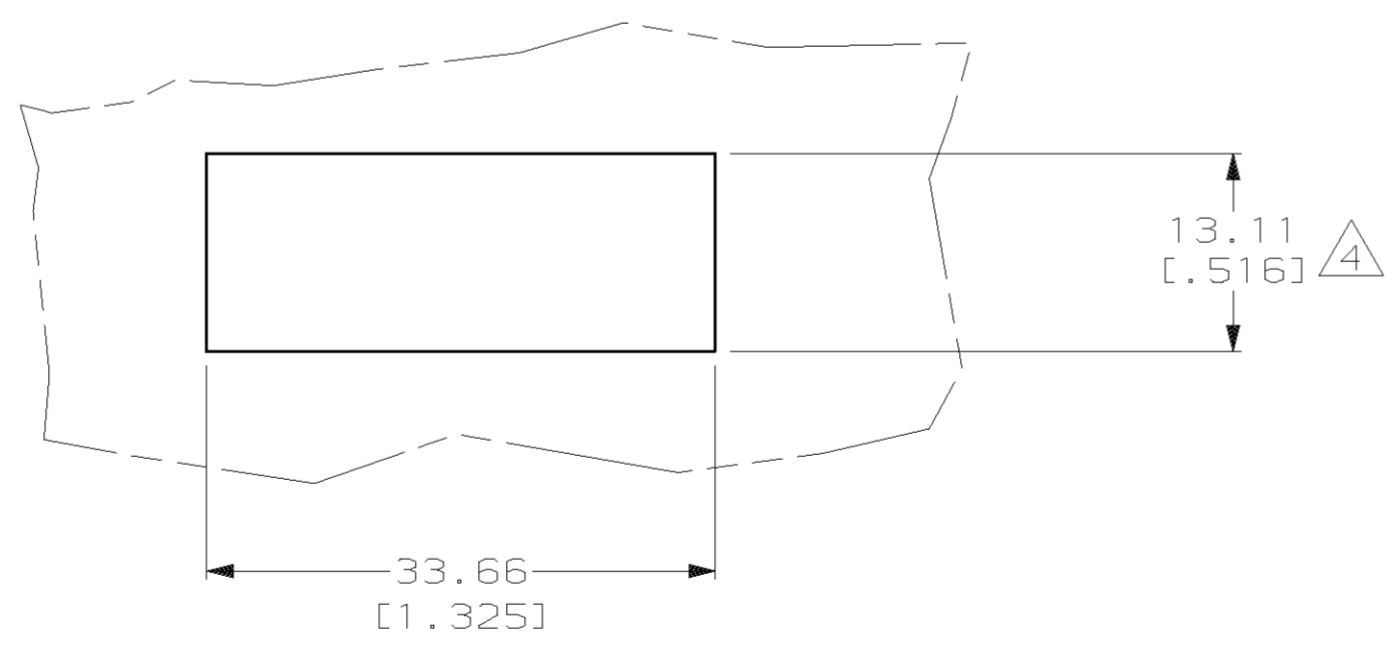
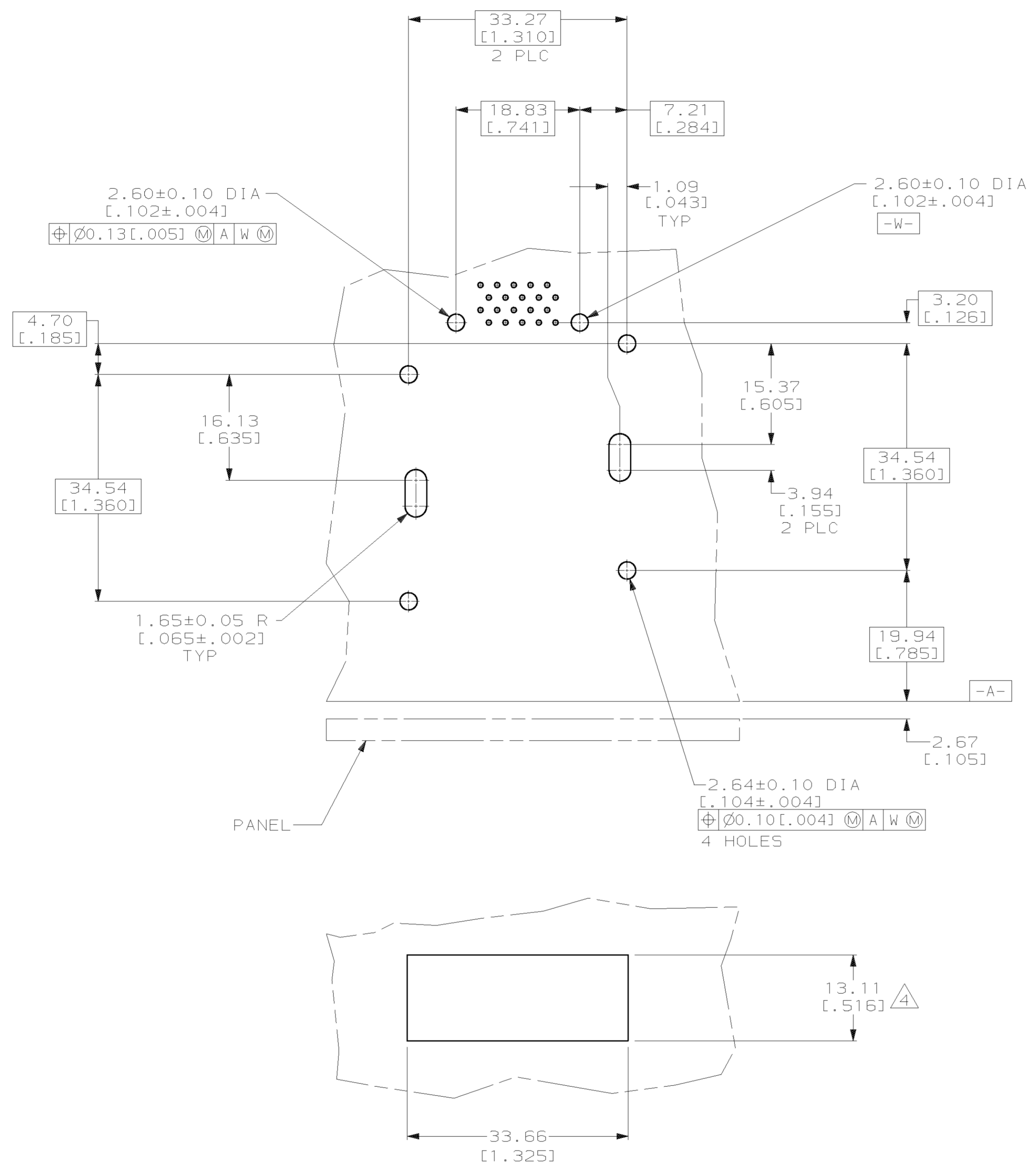


OBSOLETE	CONDUCTIVE PLUG	2.26 [.089]	1-788370-4
OBSOLETE	CONDUCTIVE PLUG	2.77 [.109]	1-788370-3
OBSOLETE	CONDUCTIVE PLUG	1.80 [.071]	1-788370-2
OBSOLETE	NO DOOR OR PLUG	2.26 [.089]	1-788370-1
OBSOLETE	NO DOOR OR PLUG	2.77 [.109]	1-788370-0
OBSOLETE	NO DOOR OR PLUG	1.80 [.071]	788370-9
OBSOLETE	PLASTIC DOOR	2.26 [.089]	788370-8
OBSOLETE	PLASTIC DOOR	2.77 [.109]	788370-7
OBSOLETE	PLASTIC DOOR	1.80 [.071]	788370-6
	METAL DOOR	2.26 [.089]	788370-5
	METAL DOOR	2.77 [.109]	788370-4
	METAL DOOR	1.80 [.071]	788370-3
	DUST DOOR OR CONDUCTIVE PLUG	L	PART NUMBER

THIS DRAWING IS A CONTROLLED DOCUMENT.

DWG: C. OBERMAN 11 JUN 98	AMP Incorporated Harrisburg, PA 17105-3608
CHK: D. STONE 25 JUN 98	
APP'D: S. LINDSTROM 25 JUN 98	
PRODUCT SPEC: -	
APPLICATION SPEC: -	
SIZE: A1	SCALE CODE: 2:1
WEIGHT: -	DRAWING NO: 00779
CUSTOMER DRAWING	SCALE: 2:1 SHEET 1 OF 2 REV L

AMP  
 GUIDE ASSEMBLY,  
 MEDIA CONVERTER MODULE,  
 CHAMP BLINDMATE



RECOMMENDED HOST CARD FOOTPRINT/PANEL CUTOUT

THIS DRAWING IS A CONTROLLED DOCUMENT.		DWN C. OBERMAN 11 JUN 98	AMP Incorporated Harrisburg, PA 17105-3608												
		CHK D. STONE 25 JUN 98													
DIMENSIONS: mm (INCHES)		TOLERANCES UNLESS OTHERWISE SPECIFIED:	AMP/D S. LINDSTROM 25 JUN 98												
<table border="1"> <tr><td>0 PLC</td><td>±-</td></tr> <tr><td>1 PLC</td><td>±-</td></tr> <tr><td>2 PLC</td><td>±-</td></tr> <tr><td>3 PLC</td><td>±-.13 (.005)</td></tr> <tr><td>4 PLC</td><td>±-</td></tr> <tr><td>ANGLES</td><td>±-</td></tr> </table>		0 PLC	±-	1 PLC	±-	2 PLC	±-	3 PLC	±-.13 (.005)	4 PLC	±-	ANGLES	±-	PRODUCT SPEC	NAME GUIDE ASSEMBLY, MEDIA CONVERTER MODULE, CHAMP BLINDMATE
0 PLC	±-														
1 PLC	±-														
2 PLC	±-														
3 PLC	±-.13 (.005)														
4 PLC	±-														
ANGLES	±-														
MATERIAL		FINISH	APPLIC. SPEC												
WEIGHT		SCALE	RESTRICTED TO												
CUSTOMER DRAWING		SCALE 2:1	SHEET 2 OF 2 REV L												